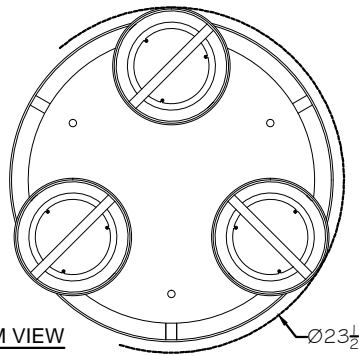
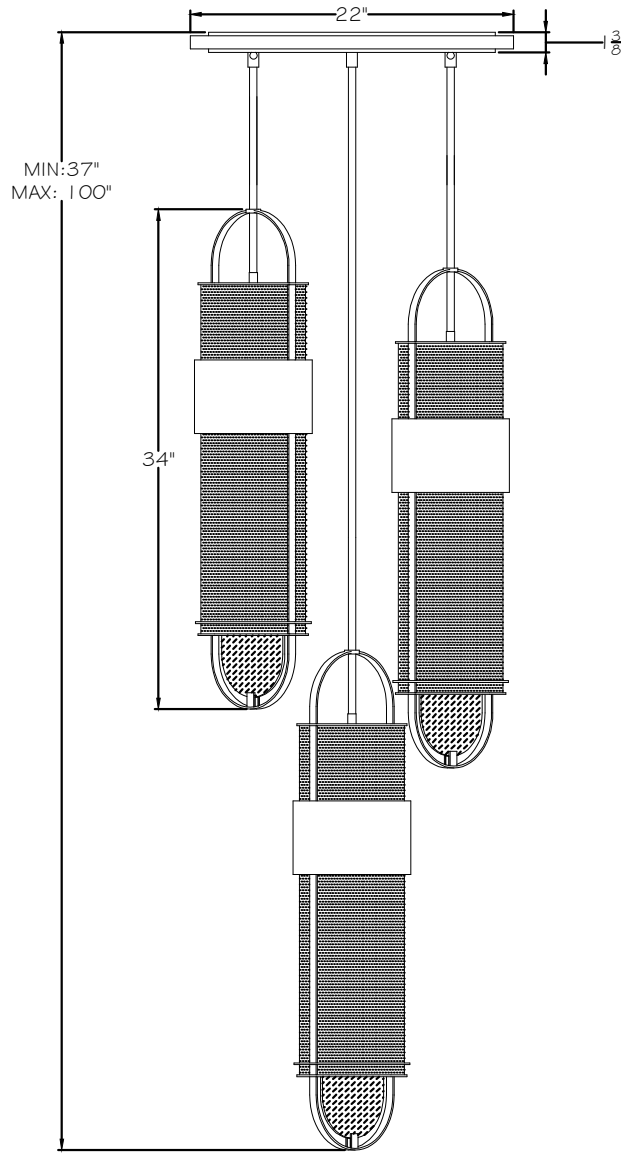


CUSTOMER REFERENCE DRAWING



**BOTTOM VIEW**



**FRONT VIEW**

**STYLE CONFIGURATIONS:**

-11ST SILVER & BLACK CLEAR FRIT GLASS	-12ST SILVER & BLACK WHITE GLASS	-21ST GOLD & BLACK CLEAR FRIT GLASS	-22ST GOLD & BLACK WHITE GLASS	-31ST GOLD CLEAR FRIT GLASS	-32ST GOLD WHITE GLASS
-41ST SILVER CLEAR FRIT GLASS	-42ST SILVER WHITE GLASS				



This drawing, specifications and the product depicted are the exclusive property of Fine Art Handcrafted Lighting®. In compliance with US copyright and patent requirements, notice is hereby given that this document and the product depicted shall not be copied, altered or used in any manner without the expressed written consent of Fine Art Handcrafted Lighting®.

www.finearthl.com

Tel:(305) 821-3850  
FINE ART LAMPS®

Fax:(305) 513-5736

STYLE NUMBER:

925340

DATE:

5/13/21