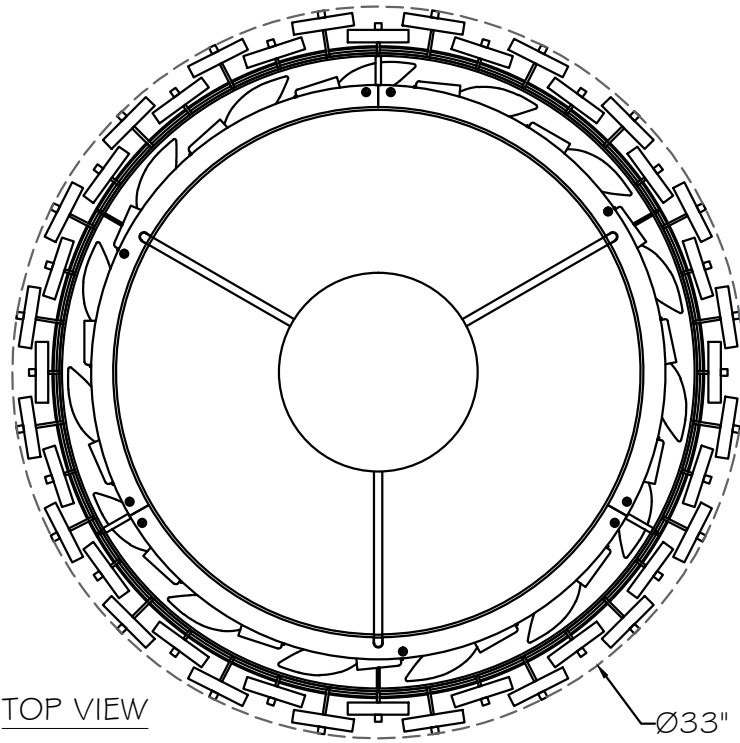
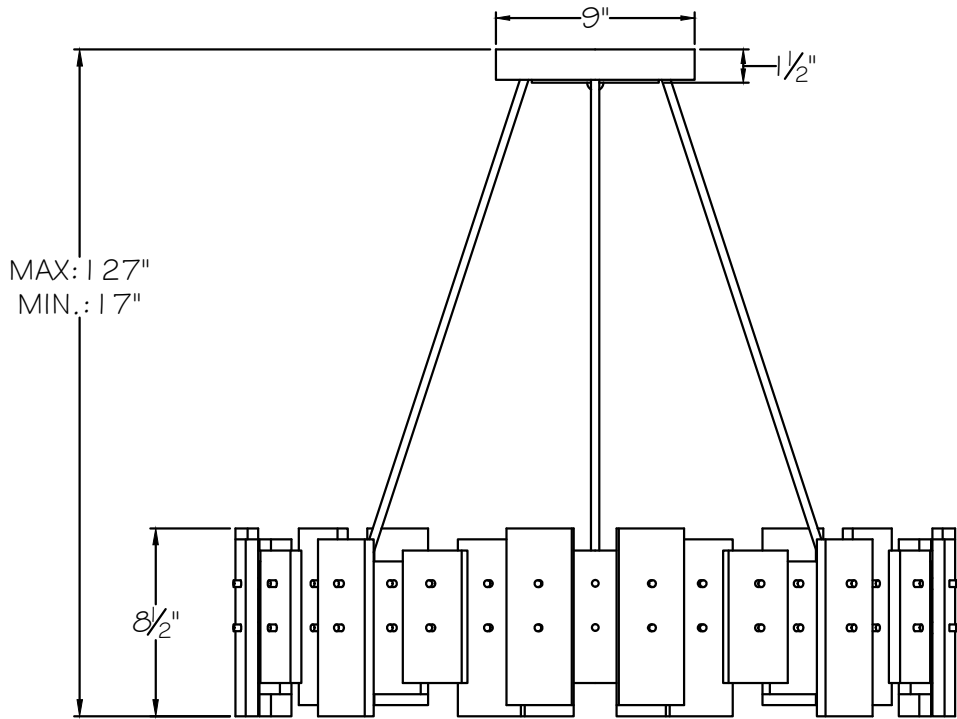


CUSTOMER REFERENCE DRAWING



TOP VIEW



FRONT VIEW

STYLE CONFIGURATIONS:

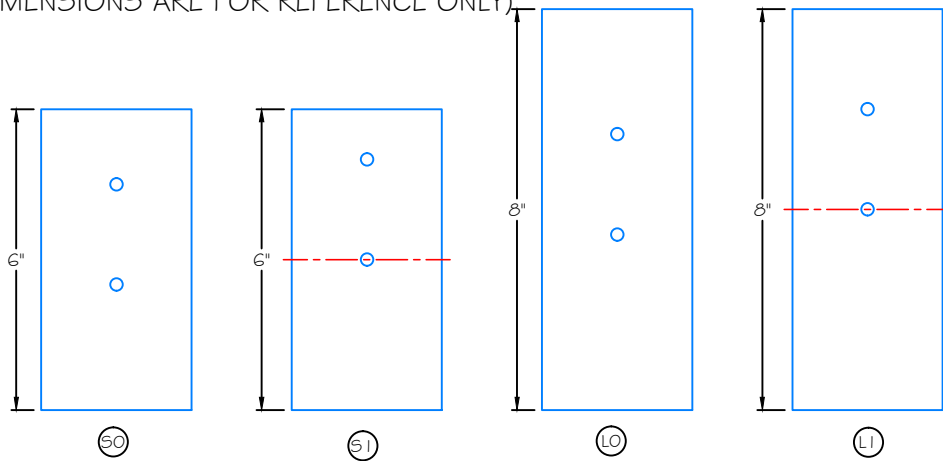
-1ST SILVER	-2ST GOLD			
-------------	-----------	--	--	--



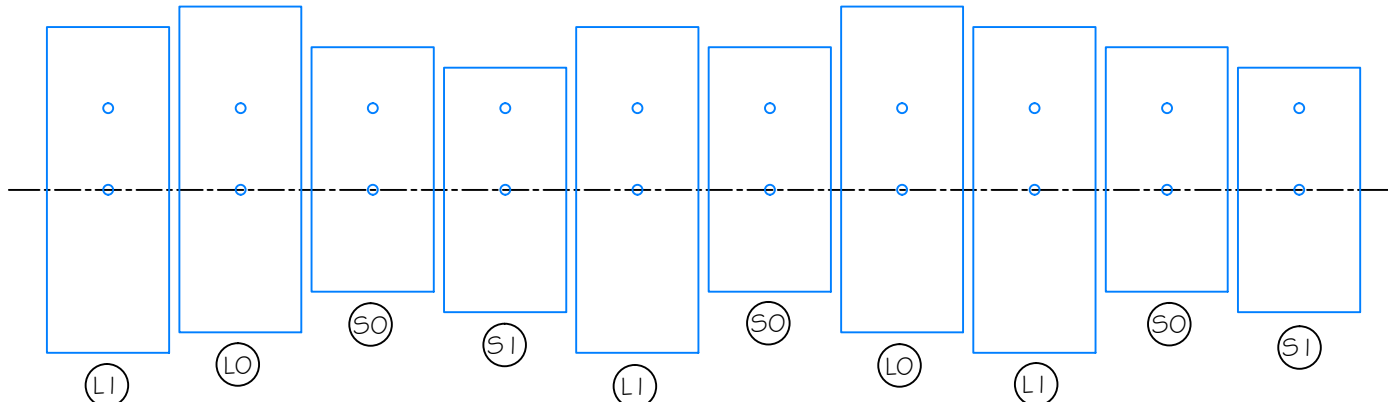
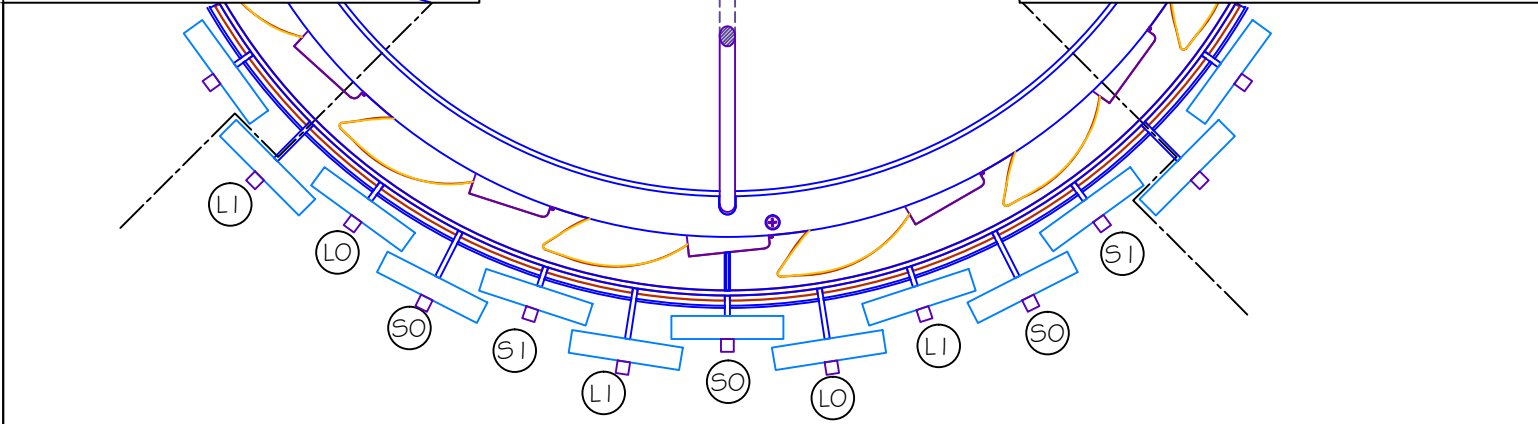
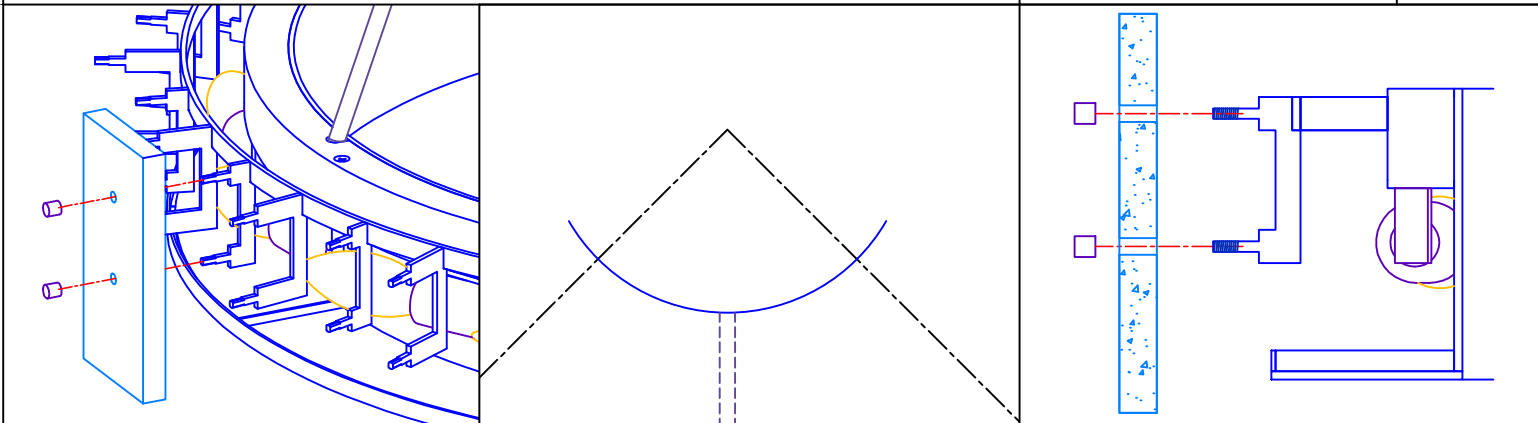
This drawing, specifications and the product depicted are the exclusive property of FINE ART LAMPS®. In compliance with US copyright and patent requirements, notice is hereby given that this document and the product depicted shall not be copied, altered or used in any manner without the expressed written consent of FINE ART LAMPS®.
www.fineartlamps.com
 Tel:(305) 821-3850 Fax:(305) 821-1564

STYLE NUMBER: 910340
DATE: 9/30/19

(DIMENSIONS ARE FOR REFERENCE ONLY)



GLASS TYPE	QUANTITY
S0- 6" GLASS #00901148	12
S1- 6" GLASS #00901149	8
L0- 8" GLASS #00901150	8
L1- 8" GLASS #00901151	12
	0
	0
	0
	0
TOTAL	40



GLASS PATTERN REPEATS EVERY 1/4 SEGMENT

STYLE(S) #: 910340



This drawing, specifications and the product depicted are the exclusive property of FINE ART LAMPS®. In compliance with US copyright and patent requirements, notice is hereby given that this document and the product depicted shall not be copied, altered or used in any manner without the expressed written consent of FINE ART LAMPS®.
www.fineartlamps.com

INSTRUCTION #: 00791380
SHEET