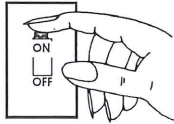


INSTALLATION INSTRUCTIONS

READ IMPORTANT SAFETY TIPS BEFORE PROCEEDING WITH INSTALLATION

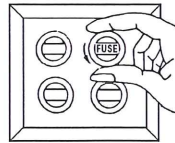
SAFETY TIPS



Turn fixture off! (Place wall switch in off position, if fixture has built-in switch or chain pull, switch or pull chain so fixture is off.)

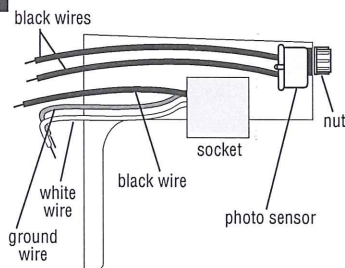


Next - go to the main fuse box. If your fuse box has an ON/OFF switch, simply place main power switch in OFF position

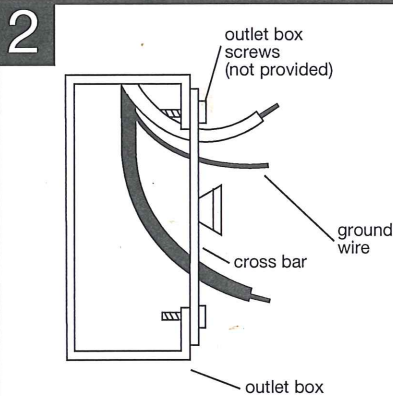


Screw-in type fuses - unscrew the fuse or fuses that control the power to the fixture or room you are working in.

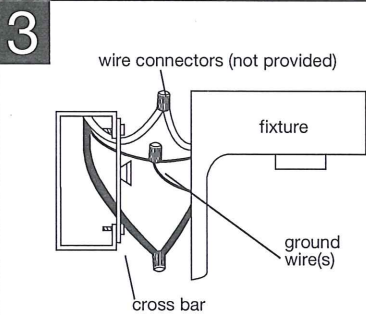
1 Omit this step if unit you purchased does not include photo sensor switch.



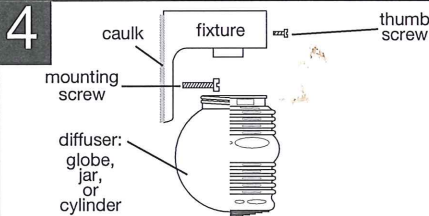
Take either black wire from photo sensor & place evenly against black wire from socket. Do not twist wires together before using wire connector. Fit a wire connector over the wires & screw the connector clockwise until you feel a firmness. Try gently to pull connector off the wires. If you can, pull off and repeat above steps until you have a firm connection.



ATTACH cross bar to outlet box with outlet box screws (not provided).



CONNECT THE WIRES. NOTE: Attach black fixture wire to black supply wire, white fixture wire to white supply wire. Do not mix them up. Use wire connectors (not provided). Connect bare fixture ground wire(s) to ground wire from outlet box. NEVER CONNECT GROUND WIRE TO BLACK OR WHITE POWER SUPPLY WIRES.



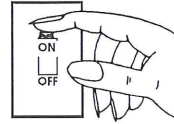
POSITION THE FIXTURE over the outlet box and secure in place with the mounting screw (provided). Screw bulb into socket. Be sure to use bulb with wattage no greater than specified for this fixture. If diffuser neck is fitter type insert diffuser into fixture and tighten thumb screw into neck of globe. If diffuser neck is threaded type, screw diffuser into fixture. Thumb screw is not required
NOTE : Fixture MUST be caulked with an acrylic caulk where base of fixture meets mounting surface. This provides a water tight seal when fixture is installed.

FOR FLUORESCENT FIXTURES ONLY! COLD WEATHER STARTING INFORMATION: For temperatures below 25° leave the PL9 lamp(s) on continuously - starting with warm lamps. NOTE: If lamp starting becomes a problem in any cold weather applications; remove the lamp(s) from the fixture - bring the lamp(s) indoors so that they become warm - then re-install the lamp(s) into the fixture and leave the fixture on continuously. Do not place lamp(s) in an oven, microwave or similar heat producing device.

INSTALLATION INSTRUCTIONS

READ IMPORTANT SAFETY TIPS BEFORE PROCEEDING WITH INSTALLATION

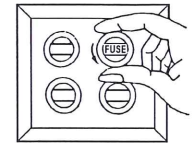
SAFETY TIPS



Turn fixture off! (Place wall switch in off position, if fixture has built-in switch or chain pull, switch or pull chain so fixture is off.)

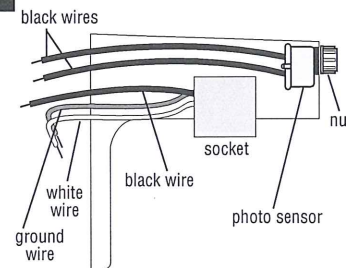


Next - go to the main fuse box. If your fuse box has an ON/OFF switch, simply place main power switch in OFF position

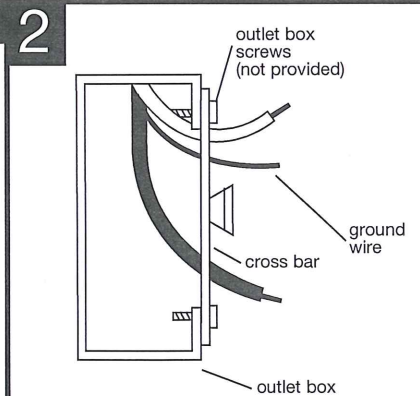


Screw-in type fuses - unscrew the fuse or fuses that control the power to the fixture or room you are working in.

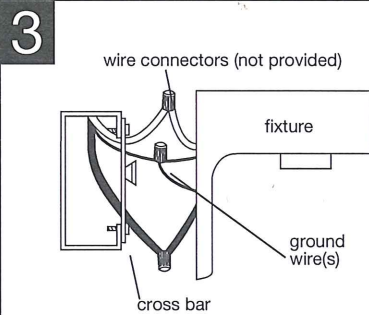
1 Omit this step if unit you purchased does not include photo sensor switch.



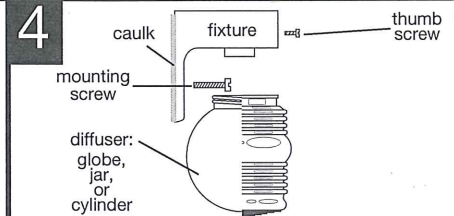
Take either black wire from photo sensor & place evenly against black wire from socket. Do not twist wires together before using wire connector. Fit a wire connector over the wires & screw the connector clockwise until you feel a firmness. Try gently to pull connector off the wires. If you can, pull off and repeat above steps until you have a firm connection.



ATTACH cross bar to outlet box with outlet box screws (not provided).



CONNECT THE WIRES. NOTE: Attach black fixture wire to black supply wire, white fixture wire to white supply wire. Do not mix them up. Use wire connectors (not provided). Connect bare fixture ground wire(s) to ground wire from outlet box. NEVER CONNECT GROUND WIRE TO BLACK OR WHITE POWER SUPPLY WIRES.



POSITION THE FIXTURE over the outlet box and secure in place with the mounting screw (provided). Screw bulb into socket. Be sure to use bulb with wattage no greater than specified for this fixture. If diffuser neck is fitter type insert diffuser into fixture and tighten thumb screw into neck of globe. If diffuser neck is threaded type, screw diffuser into fixture. Thumb screw is not required
NOTE : Fixture MUST be caulked with an acrylic caulk where base of fixture meets mounting surface. This provides a water tight seal when fixture is installed.

FOR FLUORESCENT FIXTURES ONLY! COLD WEATHER STARTING INFORMATION: For temperatures below 25° leave the PL9 lamp(s) on continuously - starting with warm lamps. NOTE: If lamp starting becomes a problem in any cold weather applications; remove the lamp(s) from the fixture - bring the lamp(s) indoors so that they become warm - then re-install the lamp(s) into the fixture and leave the fixture on continuously. Do not place lamp(s) in an oven, microwave or similar heat producing device.